

## SERVICE SPARES & TOOLS

### Tools

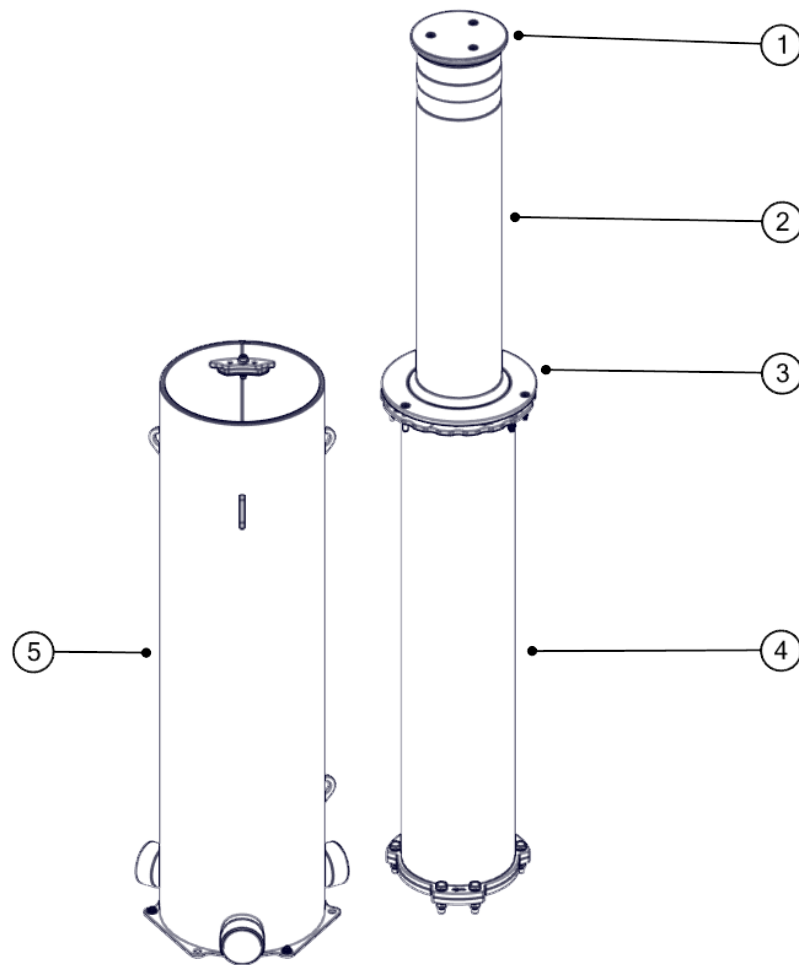
Part Number	Description
-	Flat head Screwdriver
-	Hex Key (various sizes)
-	Spanner (adjustable or various sizes)
20185	Cartridge/Slide Tube Lifting Tool
32820	Bayonet Release Tool

### Recommended Spares

Part Number	Description	Assembly	Quantity
11242	Cable Lead Prox 4 Pin IP68		1
12348	Cable Field 30M		1
13376	Limit Switch Roller Arm	Limit Switch	2
15691	Limit Switch Bracket	Limit Switch	2
16212	M14 Trident Fix Nut	Hydraulic Ram	1
19023	Hydraulic Ram (Cylinder only)	Hydraulic Ram	1
19474	Proximity Sensor	Proximity Sensor	1
18967	M10 x 70 Countersink Screw HEX	Bollard Lid	3
18967	M10 x 70 Countersink Screw HEX	Flange	3
32993	M10 x 30 Cap Screw	Trident Plate	3
13524	M5 x 20 Cap Screw	Limit Switch	2
30365	M4 x 20 Cap Screw	Limit Switch	2
30411	M4 Nut	Limit Switch	2
13524	M5 x 20 Cap Screw	Proximity Switch	4
30366	M5 Nut	Proximity Switch	2
<b>Assembly P/N 28894 or Cartridge P/N 28893 ONLY:</b>			
27524	M2.5 Countersink Screw	LED	12
27525	M2.5 Nut	LED	12
27454	LED	LED	3

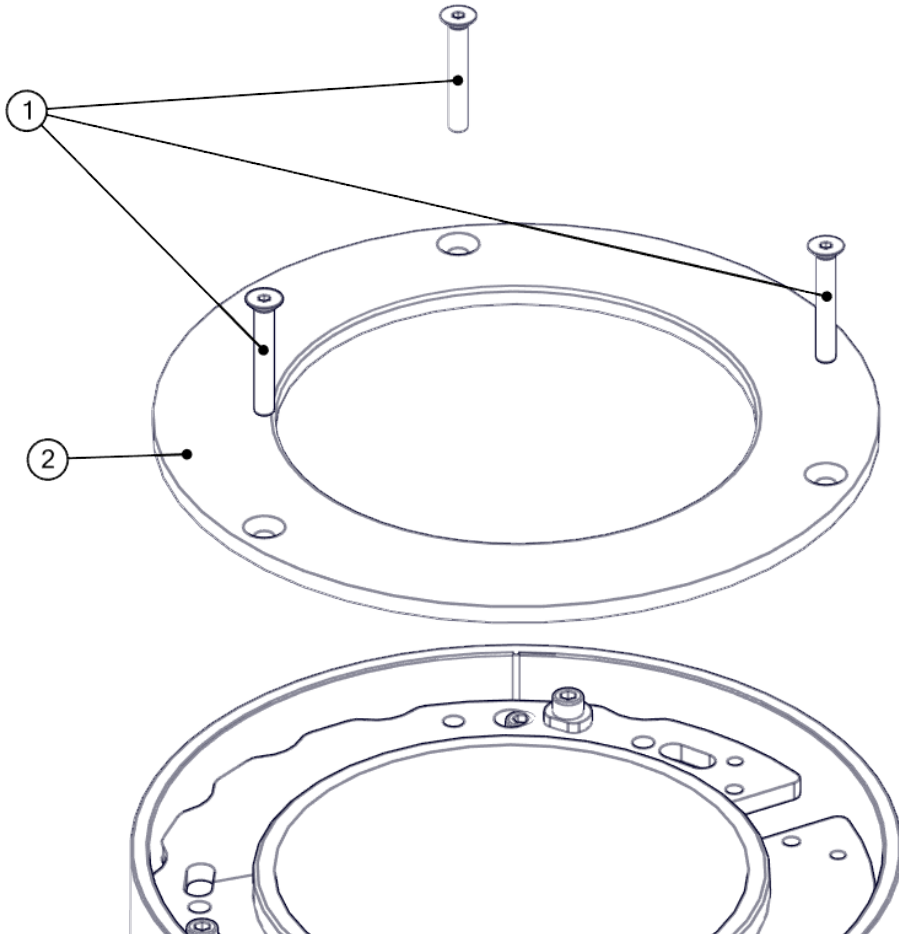
# ILLUSTRATED PARTS LIST

## Top Level Assembly



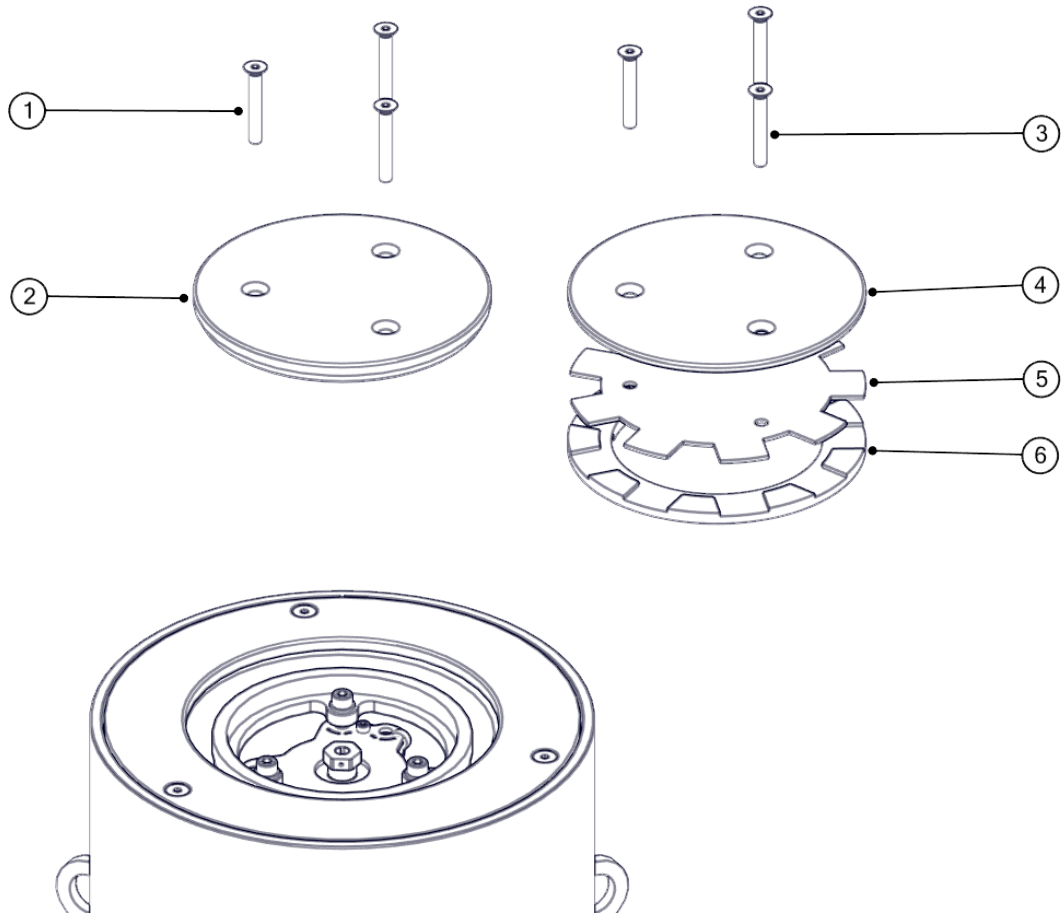
Item	Part
1	Bollard Lid
2	Bollard
3	Flange
4	Slide Tube
5	Outer Housing

# Flange



Item	Part
1	M10x70 Countersink Screw
2	Flange

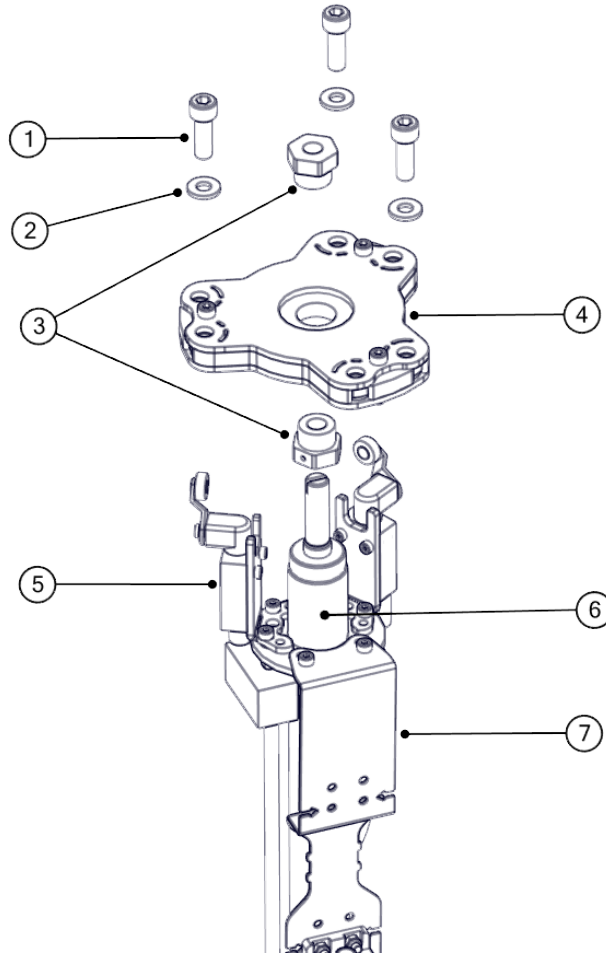
## Bollard Lid



Automatic MkII	
Item	Part
1	M10x70 Countersink Screw
2	Bollard Lid

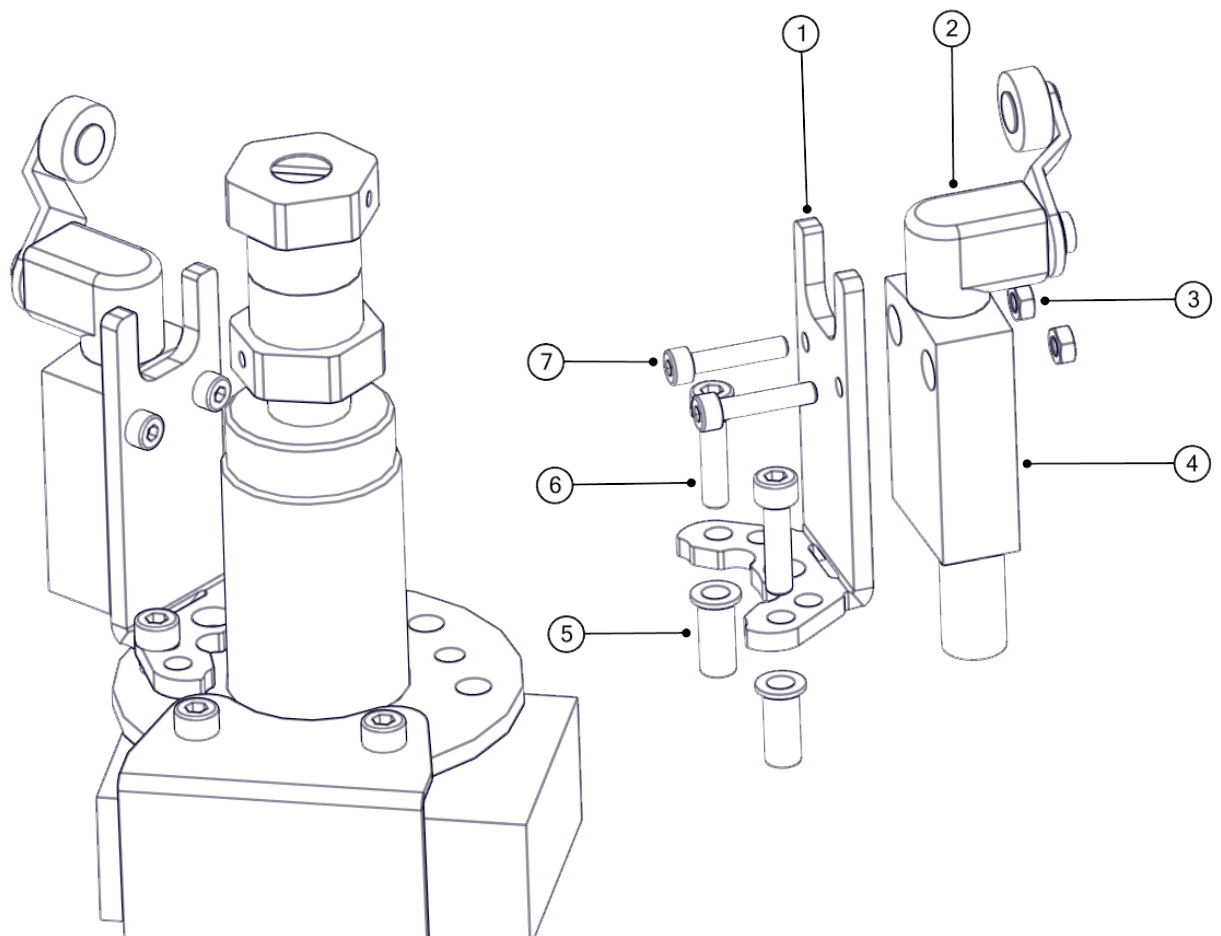
Automatic MkII w/Lights	
Item	Part
3	M10x70 Countersink Screw
4	Bollard Lid
5	Light Guide
6	Lid Base

## Trident Plate and Hydraulic Ram



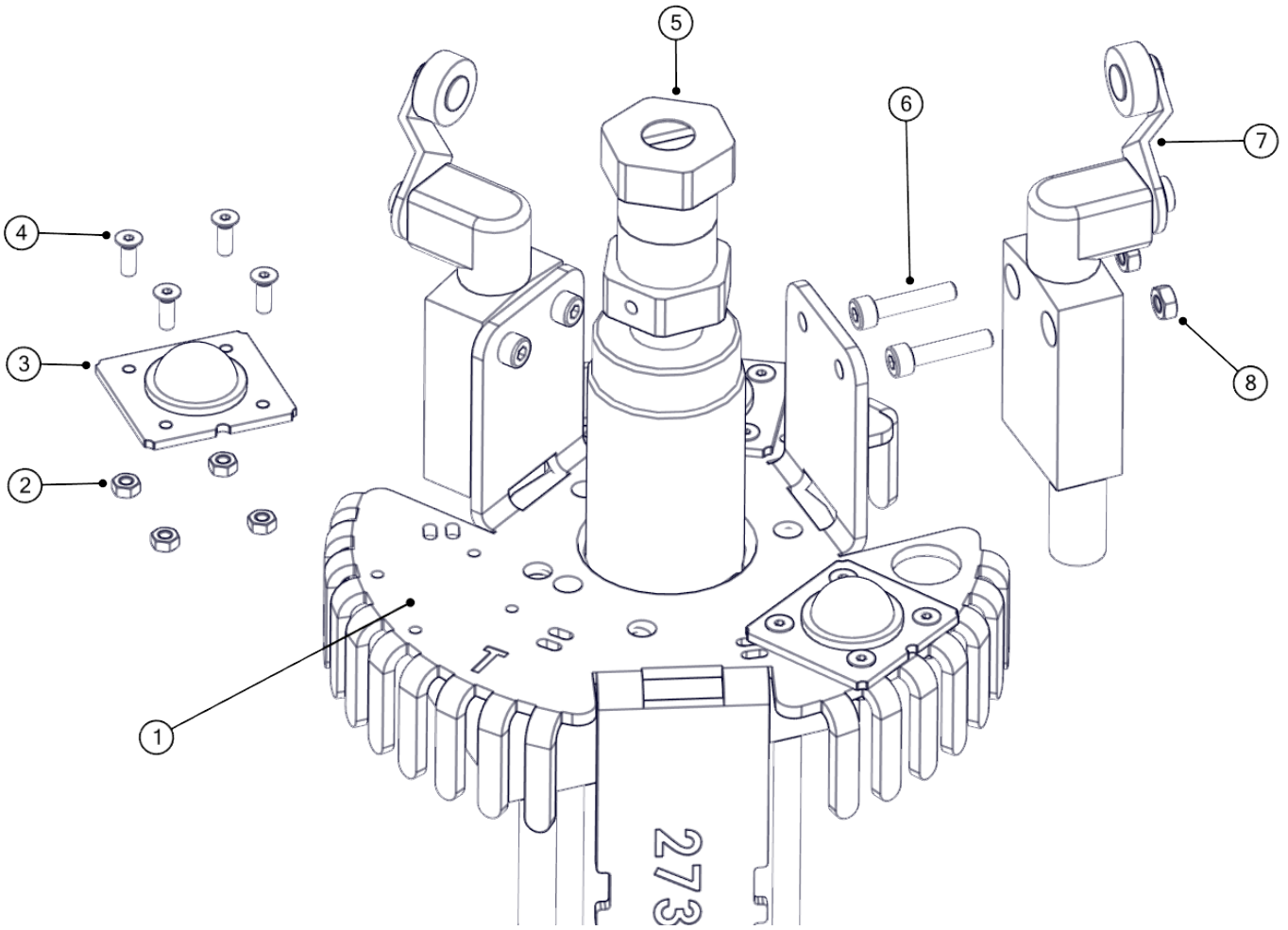
Item	Part
1	M10x30 Cap Screw
2	M10 Washer
3	Trident Fix Nut
4	Trident Plate
5	Limit Switch Bracket (c/w Limit Switch + Roller Arm)
6	Hydraulic Ram
7	Proximity Sensor Bracket (c/w Proximity Sensor)

## Limit Switches (w/o LED)



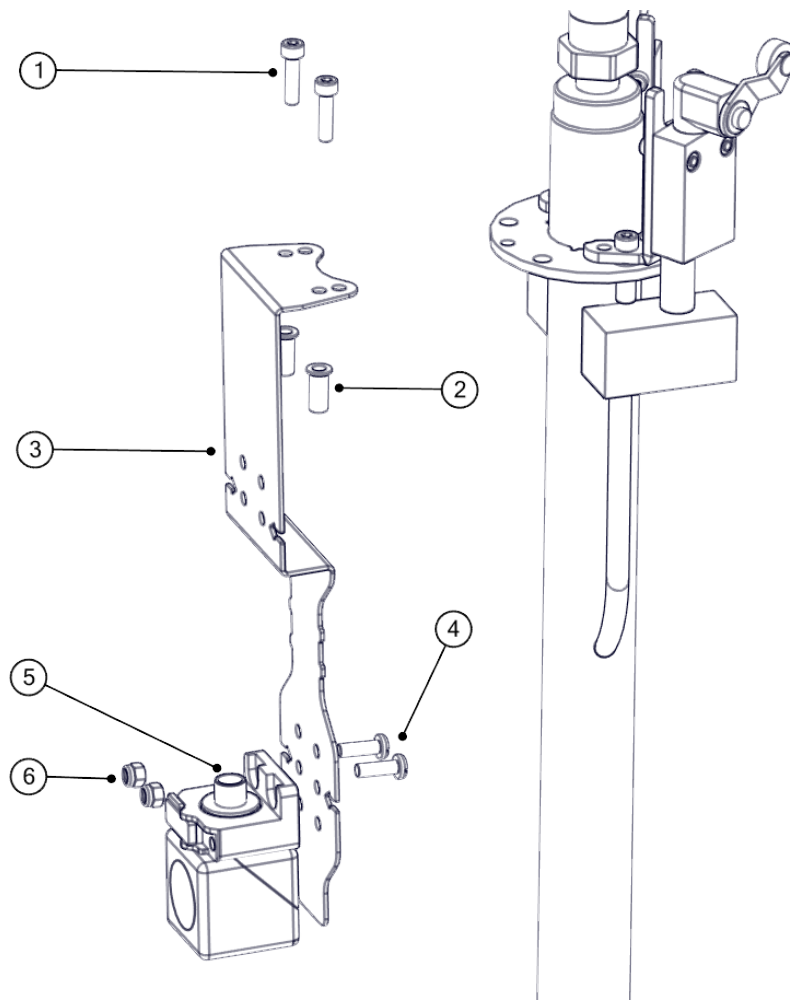
Item	Part
1	Limit Switch Bracket
2	Limit Switch Roller Arm
3	M4 Nut
4	Limit Switch
5	M5 Nut Insert
6	M5x20 Cap Screw
7	M4x20 Cap Screw

Limit Switches & LED (w/LED)



Item	Part
1	LED/Limit/Proxy Plate
2	M2.5 Nut
3	LED
4	M2.5x10 Countersink Screw
5	Hydraulic Ram
6	M4x20 Cap Screw
7	Limit Switch & Roller Arm
8	M4 Nut

## Proximity Switch



Item	Part
1	M5x20 Cap Screw
2	M5 Nut Insert
3	Proximity Sensor Bracket
4	M5x16 Pan Head Screw
5	Proximity Sensor
6	M5 Nut



## Copyright

Whilst every effort has been made to ensure that all information in this document is correct, ATG Access Ltd cannot be held liable for inaccuracies and reserve the right to change product specifications or this document at any time without notice. Unauthorized distribution, reproduction, or copying any part or the whole of this document for any purpose, in any form, or by any means without prior written permission from ATG Access Ltd is a violation of copyright.

© ATG Access Ltd 2018, All Rights Reserved.

## Warranty

ATG Access Ltd warrants the installed equipment for 12 months from the date of handover, unless otherwise stated. In the case of supply of equipment only, the equipment is warranted for 12 months from the date of dispatch (ex-works incoterms). Onsite repairs under warranty will be carried out at no cost for parts and labour. The warranty is subject to the equipment having been operated under normal conditions and has been correctly maintained. It does not cover incorrect use, fair wear and tear, unauthorized modification, vandalism, vehicle impact, terrorism, and acts of nature. Equipment excluded from warranty are inductive and magnetometer loops, lamps, hydraulic oil, and any third party access control equipment. ATG Access Ltd Terms and Conditions apply.

ATG Access Ltd offer a range of Service Contracts incorporating Parts and Labour costs, and up to Next Day service callout. They are recommended to ensure continued safe operation of the perimeter defence system within, and beyond the warranty period.

## Requests for Service

Requests for service must be received in writing specifying the fault, contact details, and purchase order number.

E-Mail: [service@atgaccess.com](mailto:service@atgaccess.com)  
E-Mail (Manual Bollards): [manual.service@atgaccess.com](mailto:manual.service@atgaccess.com)

Post: Service Department  
ATG Access Ltd  
CoBaCo House, North Florida Road  
Haydock Industrial Estate  
Haydock  
WA11 9TP  
UNITED KINGDOM

Fax: +44 (0)8456 75 99 55

Tel: +44 (0)8456 75 75 74 (Mon to Thur 0830-1700 and Fri 0830-1400)

## Part Returns

Contact our Service Department for a Return Material Authorization (RMA) number before sending return parts to ensure they are properly tracked to minimize errors or delays.

## Disposal

The system owner is responsible for disposal. The equipment and its component parts are to be recycled and disposed of in accordance with environmental regulations and legislation. Hydraulic oil (where used) requires special consideration for disposal.

